

Microstrip Circulator

Part Number: KTMC-3002A7

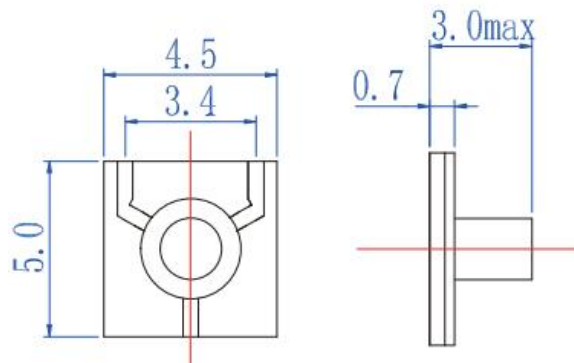
Key Features

- Frequency Range: 33GHz-37GHz
- Good Consistency
- Small Size, High Precision
- High Isolation, Low Insertion Loss
- Wide Operating Temperature Range: -55°C~+85°C
- Widely Used in Various Millimeter Wave Radar & TR Components

Electrical Specifications at Room (25°C±5°C) Temperature

| Part Number | Freq. Range (GHz) | Bandwidth Max. (MHz) | Insertion Loss Max. (dB) | Isolation Min. (dB) | VSWR Max. | Forward Power (W) | Connector Type |
|-------------|-------------------|----------------------|--------------------------|---------------------|-----------|-------------------|----------------|
| KTMC-3002A7 | 33 - 37 | full | 1.2 | 14 | 1.50 | 5 | GWB |

Mechanical Dimensions (mm)



HOW TO ORDER

